

FLOOR PLAN

SCALE: NTS

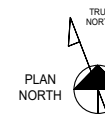
ARCH REF: 1/A13
 QUANTITY: TYPE A = 13
 TYPE B = 1
 TYPE C = 1
 TYPE D = 2

1

DRAWING TYPE

KAWNEER IR-501 IMPACT ALUMINUM STOREFRONT
 KAWNEER TRIFAB VG-450 ALUMINUM STOREFRONT
 KAWNEER 350-IR MEDIUM STILE ALUMINUM ENTRANCE
 KAWNEER 190 NARROW STILE ALUMINUM ENTRANCE
 TYPE F = 1 TYPE G = 1 TYPE H = 1 TYPE J = 1

NOTES: 1) FIELD VERIFY ALL EXISTING DIMENSIONS.
 2) TWO TYPE A WINDOWS ON EXISTING BUILDING NOT SHOWN.

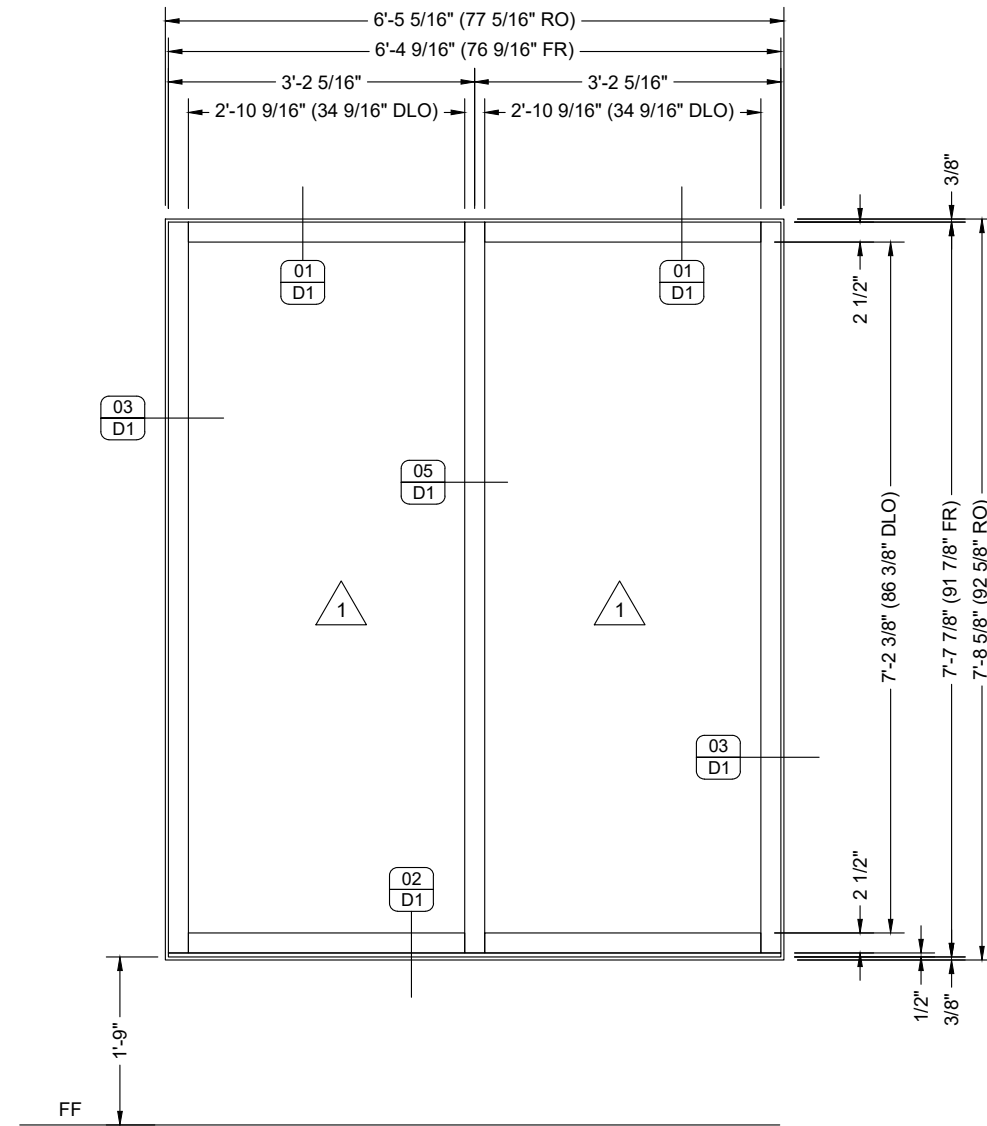


NO.	DATE	BY	DESCRIPTION
1	05/01/23	fp	First Submittal

EVINS GLASS SERVICE, INC
 101 N.P.I.D., CORPUS CHRISTI, TX 78406
 WORK (361) 884-3995 FAX (361) 884-4262

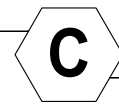
PROJECT: BUCCANEER'S COMMISSION BUILDING
RENOVATION OF EXISTING BUILDING
 ARCHITECT: BUCCANEER COMMISSION
(361) 884-3424
 GENERAL CONTRACTOR: FULTON CONSTRUCTION
(361) 963-5200

PROJECT NO.	EGS-2204-03
DRAWN BY	fp
DATE	05/01/23
SCALE	NTS
DRAWING	FLOOR PLANS
SHEET	P1



ELEVATION

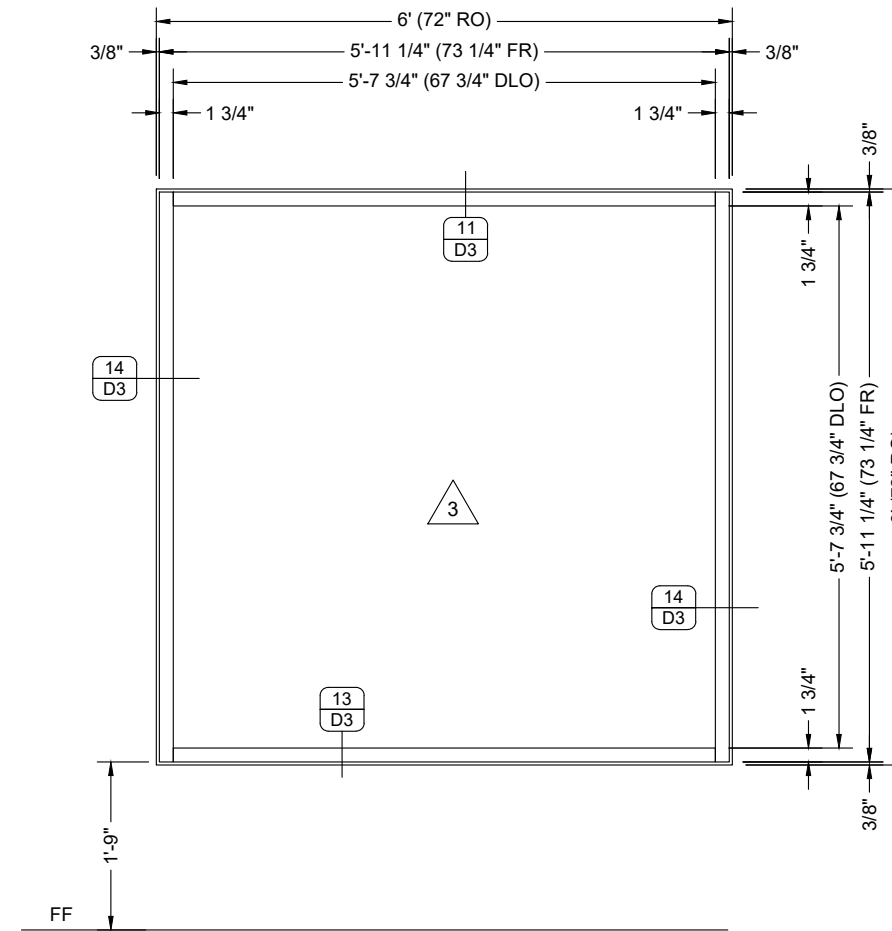
QUANTITY: 01
 SCALE: 1/2" = 1'-0"
 ARCH REF: 1/A103
 C/A702



EXT STOREFRONT

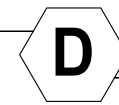
KAWNEER IR-501 IMPACT ALUMINUM STOREFRONT

NOTE: FIELD VERIFY ALL DIMENSIONS.



ELEVATION

QUANTITY: 02
 SCALE: 1/2" = 1'-0"
 ARCH REF: 1/A103
 B1/A301
 D/A702



EXT STOREFRONT

KAWNEER TRIFAB VG-450 ALUMINUM STOREFRONT

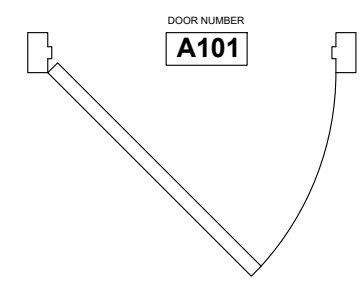
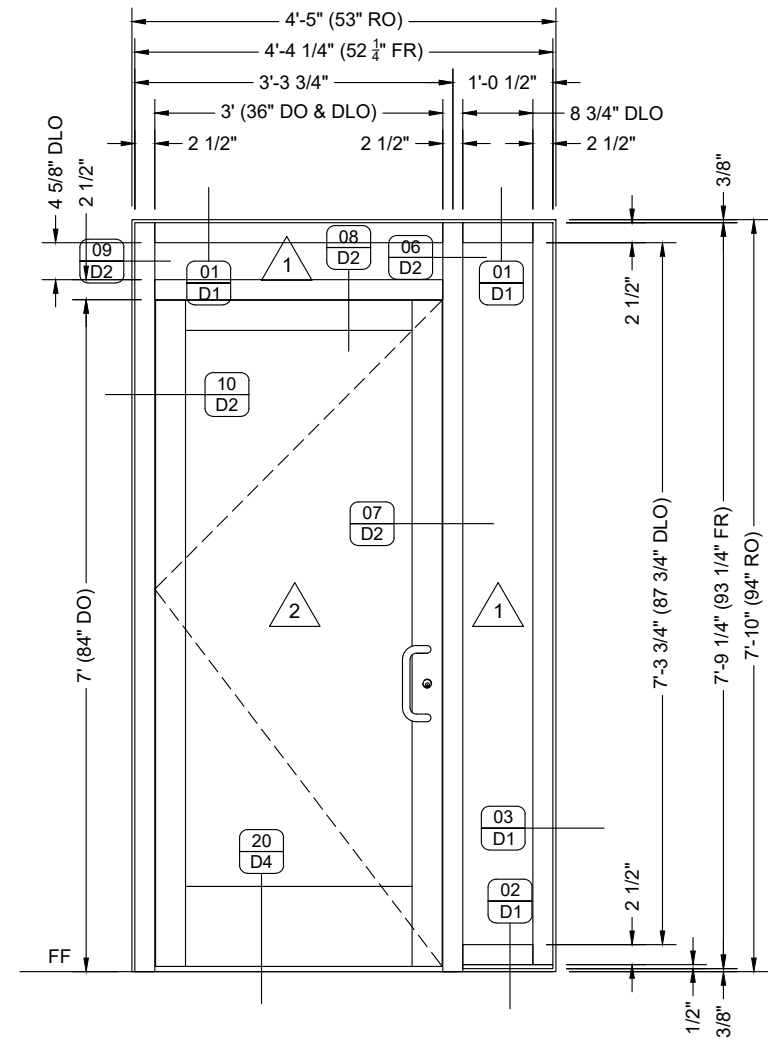
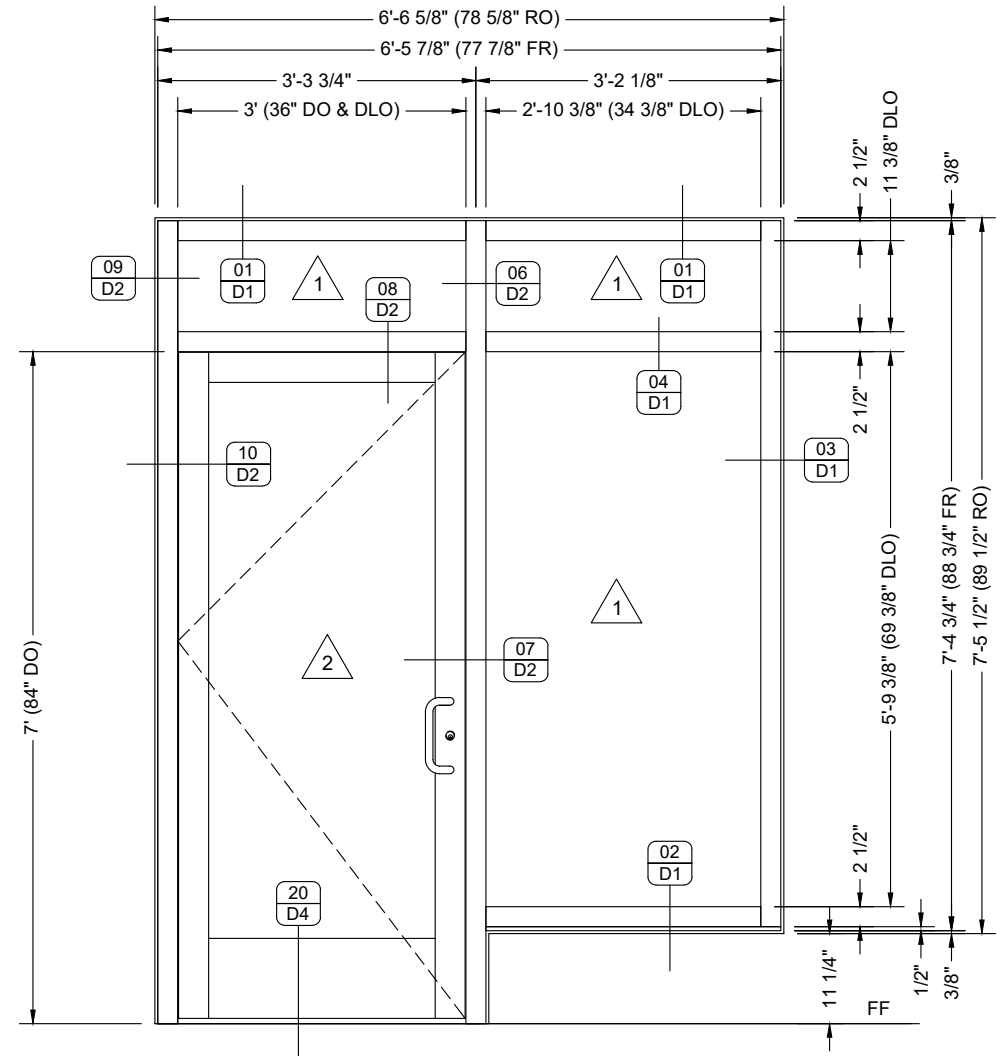
NOTE: FIELD VERIFY ALL DIMENSIONS.

NO.	DATE	BY	DESCRIPTION
1	05/01/23	fp	First Submittal

EVINS GLASS SERVICE, INC
 101 N.P.I.D., CORPUS CHRISTI, TX 78406
 WORK (361) 884-3995 FAX (361) 884-4262

PROJECT: BUCCANEER'S COMMISSION BUILDING
RENOVATION OF EXISTING BUILDING
 ARCHITECT: BUCCANEER COMMISSION
 (361) 862-3424
 GENERAL CONTRACTOR: FULTON CONSTRUCTION
 (361) 866-5203

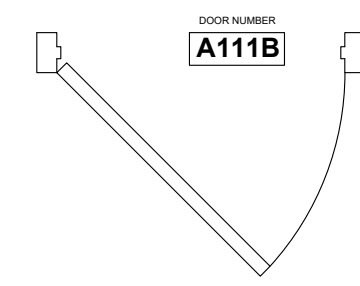
PROJECT NO.	EGS-2204-03
DRAWN BY	fp
DATE	05/01/23
SCALE	1/2" = 1'-0"
DRAWING	ELEVATIONS
SHEET	E2



DOOR NUMBER
A101

HARDWARE - EXTERIOR DOORS

QUALIFIED HARDWARE USING THE KAWNEER BRAND TO MEET TDI REQUIREMENTS
 CONTINUOUS HINGES & 4116 COMMERCIAL HEAVY DUTY SURFACE-MOUNTED CLOSER
 KAWNEER 1686 CONCEALED VERTICAL ROD PANIC EXIT DEVICES
 KEYED CYLINDERS
 KAWNEER 10" BOTTOM RAILS (ADA)
 8" PUSH/PULL SETS
 KAWNEER THRESHOLD



DOOR NUMBER
A111B

ELEVATION

QUANTITY: 01
 SCALE: 1/2" = 1'-0"
 ARCH REF: 1/A103
 DS/A702
 DFE/A702



EXT STOREFRONT

KAWNEER IR-501 IMPACT ALUMINUM STOREFRONT
 KAWNEER 350-IR MEDIUM STILE IMPACT ALUMINUM ENTRANCE
 NOTE: FIELD VERIFY ALL DIMENSIONS.

ELEVATION

QUANTITY: 01
 SCALE: 1/2" = 1'-0"
 ARCH REF: 1/A103
 DS/A702
 DFE/A702



EXT STOREFRONT

KAWNEER IR-501 IMPACT ALUMINUM STOREFRONT
 KAWNEER 350-IR MEDIUM STILE IMPACT ALUMINUM ENTRANCE
 NOTE: FIELD VERIFY ALL DIMENSIONS.

NO.	DATE	BY	DESCRIPTION
1	05/01/23	fp	First Submittal

EVINS GLASS SERVICE, INC
 101 N.P.I.D., CORPUS CHRISTI, TX 78406
 WORK (361) 884-3995 FAX (361) 884-4262

PROJECT: BUCCANEER'S COMMISSION BUILDING
RENOVATION OF EXISTING BUILDING
 ARCHITECT: BUCCANEER COMMISSION
 (361) 862-3424
 GENERAL CONTRACTOR: FULTON CONSTRUCTION
 (361) 866-5203

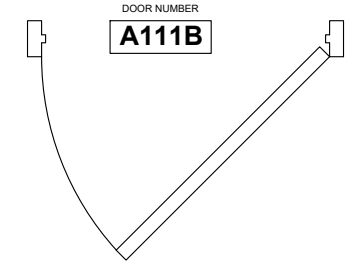
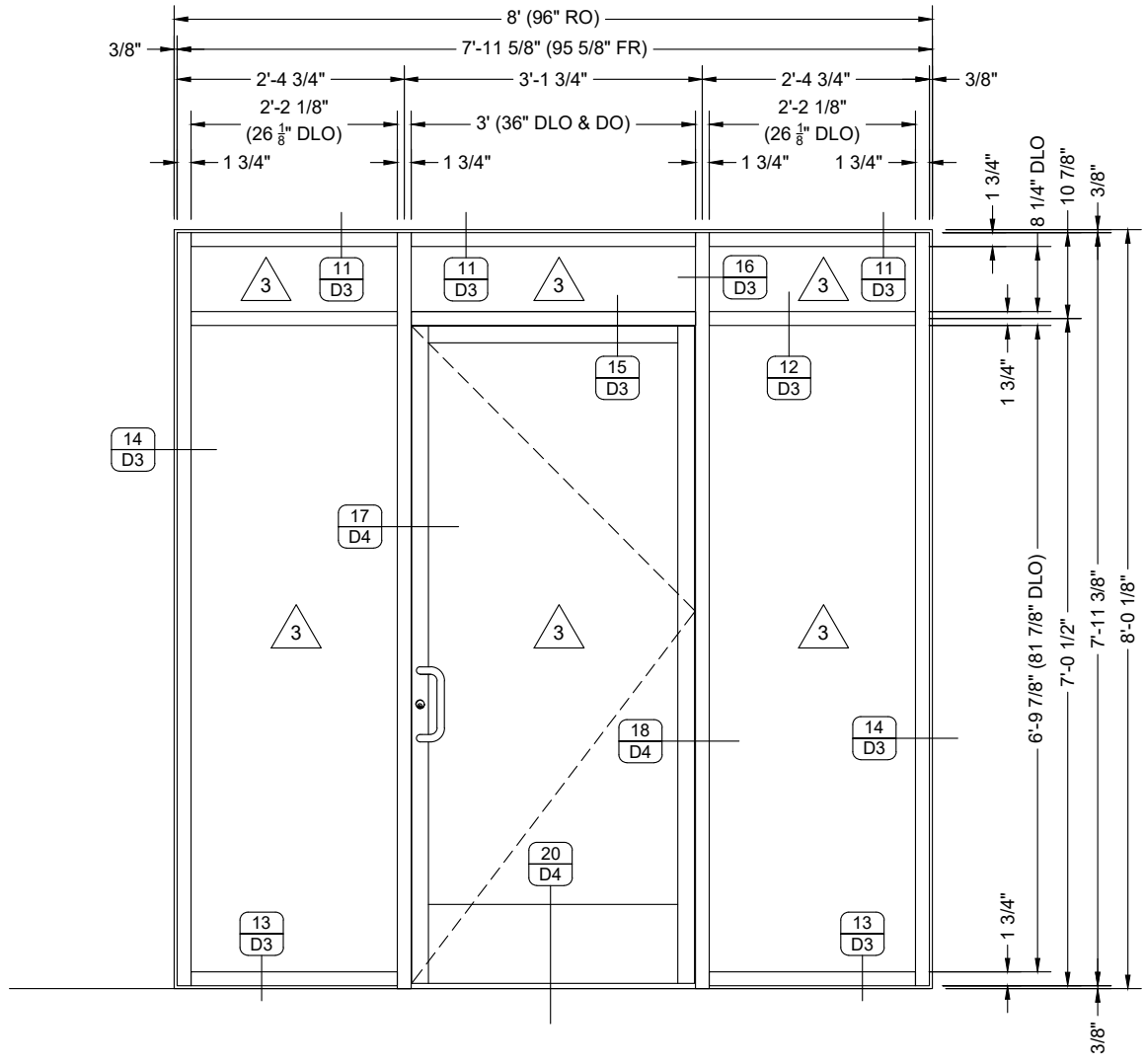
PROJECT NO.	EGS-2204-03
DRAWN BY	fp
DATE	05/01/23
SCALE	1/2" = 1'-0"
DRAWING	ELEVATIONS
SHEET	E3

NO.	DATE	DESCRIPTION
1	05/01/23	First Submittal
fp		
SUB	BY	

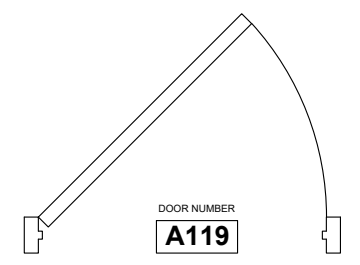
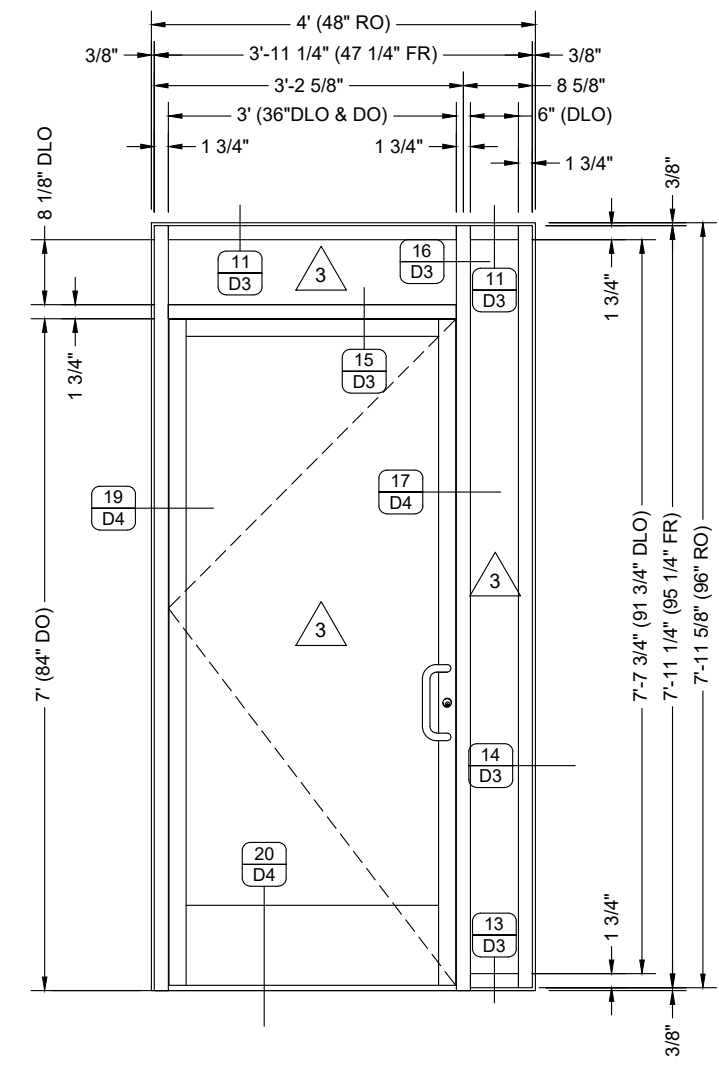
EVINS GLASS SERVICE, INC
 101 N.P.I.D., CORPUS CHRISTI, TX 78406
 WORK (361) 884-3995 FAX (361) 884-4262

PROJECT: BUCCANEER'S COMMISSION BUILDING
RENOVATION OF EXISTING BUILDING
 ARCHITECT: BUCCANEER COMMISSION
 (361) 862-3424
 GENERAL CONTRACTOR: FULTON CONSTRUCTION
 (361) 866-5203

PROJECT NO.	EGS-2204-03
DRAWN BY	fp
DATE	05/01/23
SCALE	1/2" = 1'-0"
DRAWING	ELEVATIONS
SHEET	E4

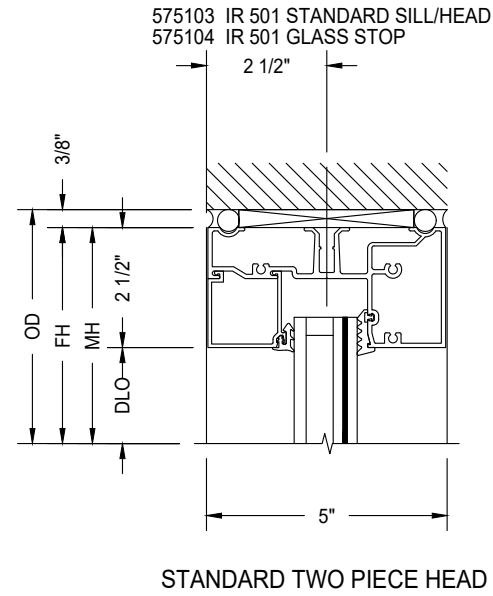


ELEVATION H EXT STOREFRONT
 QUANTITY: 01
 SCALE: 1/2" = 1'-0"
 ARCH REF: 1/A103
 DS/A702
 DFE/A702
 KAWNEER TRIFAB VG-450 ALUMINUM STOREFRONT
 KAWNEER 190 NARROW STILE ALUMINUM ENTRANCE
 NOTE: FIELD VERIFY ALL DIMENSIONS.

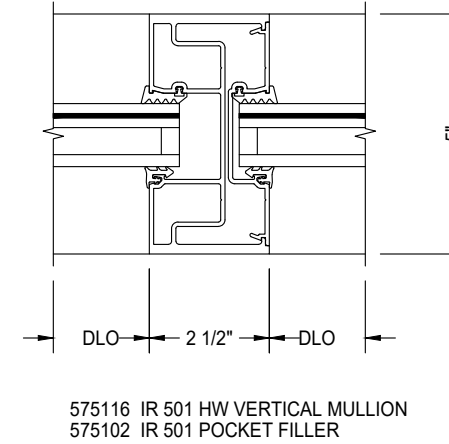
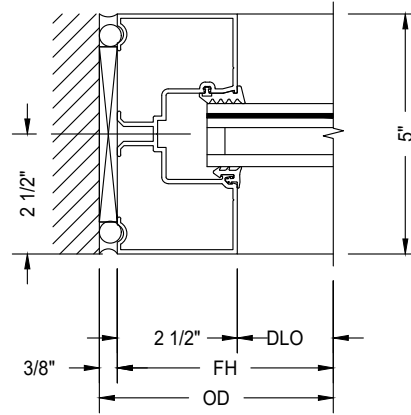


ELEVATION J EXT STOREFRONT
 QUANTITY: 01
 SCALE: 1/2" = 1'-0"
 ARCH REF: 1/A103
 DS/A702
 DFE/A702
 KAWNEER TRIFAB VG-450 ALUMINUM STOREFRONT
 KAWNEER 190 NARROW STILE ALUMINUM ENTRANCE
 NOTE: FIELD VERIFY ALL DIMENSIONS.

HARDWARE - INTERIOR DOORS
 QUALIFIED HARDWARE USING THE KAWNEER BRAND
 BUTT HINGES & COMMERCIAL LIGHT DUTY SURFACE-MOUNTED CLOSER
 ADAMSRITE 1800 SERIES THROW LOCK AND THUMB-TURN
 KEYED CYLINDERS
 KAWNEER 10" BOTTOM RAILS (ADA)
 8" PUSH/PULL SETS
 NO THRESHOLD



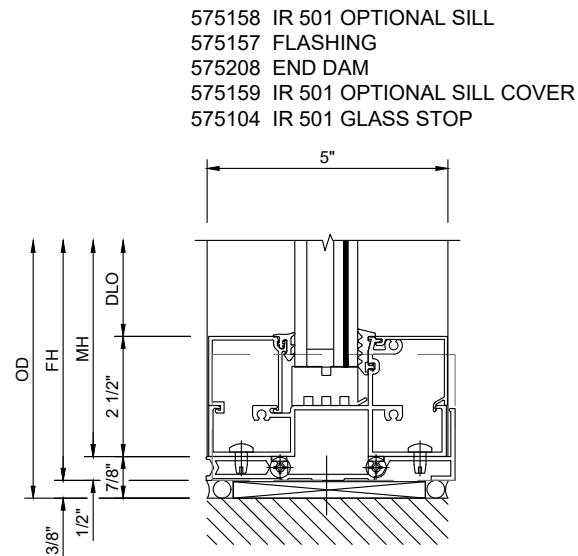
DETAIL 03 EXT. JAMB
 SCALE: 3" = 1'-0"
 ARCH REF: N/A
 KAWNEER IR-501 IMPACT ALUMINUM STOREFRONT



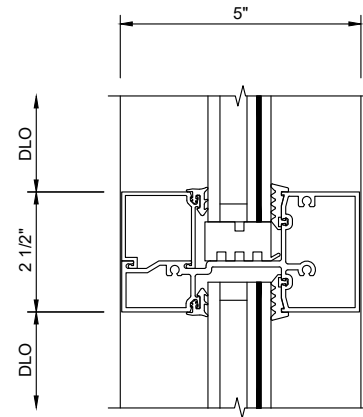
DETAIL 01 EXT. HEAD
 SCALE: 3" = 1'-0"
 ARCH REF: 1/A103
 B1/A301
 A1/A301
 1/A302
 A2/302
 KAWNEER IR-501 IMPACT ALUMINUM STOREFRONT

DETAIL 05 EXT. VERTICAL
 SCALE: 3" = 1'-0"
 ARCH REF: N/A
 KAWNEER IR-501 IMPACT ALUMINUM STOREFRONT

DETAIL 02 EXT. SILL
 SCALE: 3" = 1'-0"
 ARCH REF: 1/A103
 B1/A301
 KAWNEER IR-501 IMPACT ALUMINUM STOREFRONT



575115 IR 501 TUBULAR HORIZONTAL
 575104 IR 501 GLASS STOP



DETAIL 04 EXT. HORIZONTAL
 SCALE: 3" = 1'-0"
 ARCH REF: N/A
 KAWNEER IR-501 IMPACT ALUMINUM STOREFRONT

NO.	DATE	BY	DESCRIPTION
1	05/01/23	fp	First Submittal

EVINS GLASS SERVICE, INC
 101 N.P.I.D., CORPUS CHRISTI, TX 78406
 WORK (361) 884-3995 FAX (361) 884-4262

PROJECT: BUCCANEER'S COMMISSION BUILDING
RENOVATION OF EXISTING BUILDING
 ARCHITECT: BUCCANEER COMMISSION
 (361) 862-3242
 GENERAL CONTRACTOR: FULTON CONSTRUCTION
 (361) 868-5200

PROJECT NO.	EGS-2204-03
DRAWN BY	fp
DATE	05/01/23
SCALE	3" = 1'-0"
DRAWING	DETAILS
SHEET	D1